

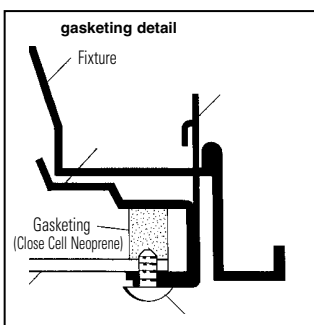
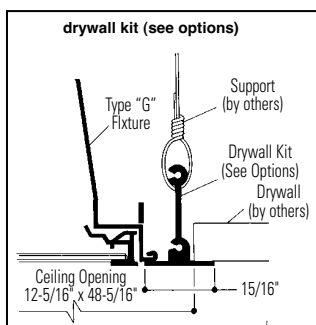
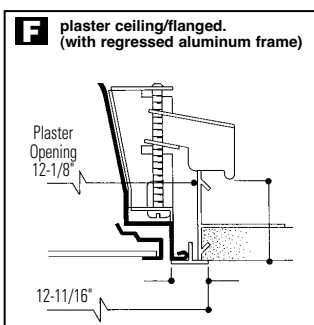
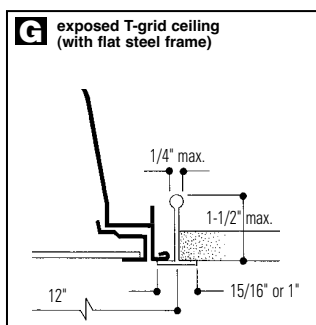
GUARDSMAN **GVS SERIES 1X4**

Features

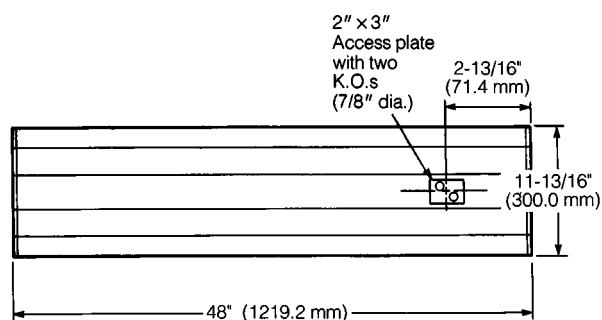
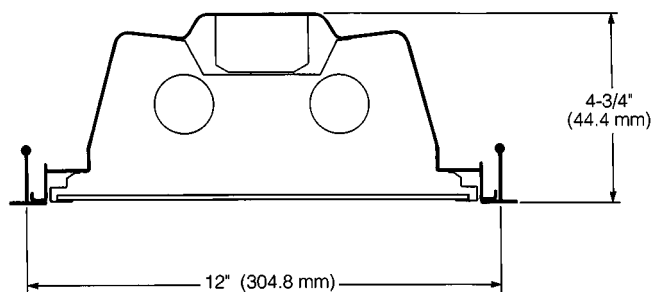
- Excellent for locations where vandal resistance is required.
- Prismatic lens is 3/16" thick pattern 12, minimum impact strength, 130 foot pounds.
- Full perimeter gasketing (closed cell Neoprene) between door frame and lens.
- Tamper resistant holt head screws secure lens to housing.
- 4-3/4" deep body.
- 62.2% efficient (T8).
- Turned up edges for safe handling.
- Black housing exterior for cooler ballast operating temperature.
- Spring loaded rooster head latches.
- 18 gauge steel hinges.
- UL-Listed twin knockout access plate.
- Metal gauge/construction to meet Chicago Plenum is available.



MOUNTING METHODS



DIMENSIONS



Job Information

Type:

Job Name:

Cat. No.:

Lamp(s):

Volts/Ballast:

Lightolier a Genlyte Thomas Company

www.lightolier.com

Technical Information: (978) 657-7600 • Fax (978) 658-0595

631 Airport Road, Fall River, MA 02720 • (508) 679-8131 • Fax (508) 674-4710

We reserve the right to change details of design, materials and finish.

© 2002 Genlyte Thomas Group LLC (Lightolier Division)

A0902

Section 6A/Folio P20-50

LIGHTOLIER



GUARDSMAN GVS SERIES 1X4

PHOTOMETRY

MODEL NO. GVS1GFSVK232

LER = FL - 48.3 IW - 80.0 BF - 0.95

Comparative yearly lighting energy cost per 1000 lumens = \$5.00

GT TESTING LABORATORY
46 Industrial Way
Wilmington, MA 01887
(978) 657-7600

REPORT NO.: G01007 DATE: 02-23-01
CATALOG NO.: GVS1GFSVK232120S0
LAMP(S): 2 F32T8 TL/84L, EACH RATED 2850 LUMENS
LUMINAIRE: VANDAL RESISTANT TROFFER WITH FS FRAME AND VK LENS
0.49 AMPS 58.8 WATTS
WCTO M2-RN-T8-1Ld-120

CANDELA DISTRIBUTION

0	22.5	45.0	67.5	90.0	FLUX
0	1486	1486	1486	1486	1486
5	1470	1477	1481	1489	1493
15	1413	1426	1444	1467	1477
25	1302	1328	1369	1407	1421
35	1133	1175	1228	1260	1270
45	883	883	884	908	920
55	508	484	490	491	490
65	266	269	252	250	249
75	144	141	142	153	154
85	50	54	53	62	62
90	0	0	0	0	0

ZONAL LUMEN SUMMARY

ZONE	LUMENS	%LAMP	%FIXT
0-30	1180	20.7	33.3
0-40	1939	34.0	54.7
0-50	3074	53.9	85.7
0-90	3547	62.2	100.0
90-180	0	0.0	0.0
0-180	3547	62.2	100.0

TOTAL LUMINAIRE EFFICIENCY = 62.2 %
TOTAL REFLECTANCE OF PAINT = 90.6 %
CIE TYPE - DIRECT

PLANE : 0-DEG 90-DEG
SPACING CRITERIA : 1.2 1.3
PLANE : 0-DEG 90-DEG
LUMINOUS LENGTH : 9.960 45.960

LUMINANCE DATA IN CANDELA/90 M ANGLE AVERAGE AVERAGE AVERAGE

IN DEG	0-DEG	45-DEG	90-DEG
45	4227	4232	4404
55	2998	2892	2852
65	2130	2018	1994
75	1883	1857	2014
85	1942	2058	2408

THIS REPORT IS BASED ON PUBLISHED INDUSTRY PROCEDURES • FIELD PERFORMANCE MAY DIFFER FROM LABORATORY PERFORMANCE

coefficients of utilization — zonal cavity method

RF	20			20			20			
RC	80			50			30			
RW	70	50	30	50	30	10	50	30	10	
room cavity ratio	1	68	66	63	62	60	58	59	58	57
	2	63	58	54	55	52	49	53	51	48
	3	58	52	47	49	46	42	47	44	42
	4	53	47	42	44	40	37	43	39	36
	5	49	42	37	40	36	32	39	35	32
	6	46	38	33	36	32	29	35	31	29
	7	43	35	30	33	29	26	32	28	26
	8	40	32	27	31	26	23	30	26	23
	9	37	29	24	28	24	21	28	24	21
	10	35	27	22	26	22	19	26	22	19

visual comfort probability (VCP) average 100 fc; reflectances 80/50/20

room size		ceiling height				ceiling height			
W	L	8.5	10.0	13.0	16.0	8.5	10.0	13.0	16.0
20	20	59	63	69	74	59	63	69	73
20	30	52	56	60	65	51	56	61	65
20	40	48	51	55	59	47	50	55	59
20	60	45	48	51	54	43	47	50	54
30	20	60	64	69	73	60	65	69	73
30	30	53	56	60	64	52	56	61	64
30	40	48	51	54	57	47	50	54	58
30	60	45	48	49	53	43	46	49	53
30	80	44	46	46	50	41	44	45	49
40	20	61	66	70	74	62	66	70	73
40	30	54	58	61	65	53	57	61	65
40	40	49	52	55	58	48	51	55	58
40	60	45	48	49	52	43	46	49	52
40	80	44	46	46	49	41	44	45	48
40	100	43	45	44	47	41	42	43	46
60	30	55	59	62	66	54	58	62	66
60	40	50	53	55	58	49	52	55	59
60	60	46	48	49	53	44	47	48	52
60	80	44	46	46	49	42	44	45	48
60	100	43	45	44	46	41	42	42	45
100	40	53	55	57	61	52	55	57	61
100	60	49	50	51	54	47	49	50	54
100	80	46	48	47	50	44	46	46	49
100	100	45	46	45	47	43	44	43	45

ORDERING INFORMATION

Explanation of Catalog Number. Example: GVS1GFSVK232120S0GLR

GV	S	1		FS	VK					
GUARDSMAN VANDAL RESISTANT	STATIC	FIXTURE WIDTH	CEILING TYPE: G= Grid (lay-in T bar) F= Flanged (overlap) Z spline and plaster frame	LENS FRAME: FS= Flat steel frame	LENS/SHIELDING TYPE: VK=High impact Prismatic Lens (standard)	LAMP QUANTITY: 1 or 2 Lamps	LAMP/FIXTURE LENGTH: 32=T8 34=T12 (Nominal 48")	VOLTAGE: 120 or 277	BALLAST TYPE: 2 Lamp Mag. T12 2 Lamp Elec. T8 LOL T8 Dimming *Instant Start Standard	OPTIONS: Add appropriate suffix to catalog no., ie: (GLR) LE <20THD SO* PS HI* HI

Other dimming options. Consult factory.

OPTIONS & ACCESSORIES

- SCREWDRIVER:** For holt head screw. Order Catalog Number **LP156737**.
- ACCESS PLATE:** Top wiring access plate is shipped with fixture as standard. When access plates are required in advance for wiring convenience, specify separately. Order Catalog Number: **ACP CSP**.
- CONTINUOUS ROW INSTALLATION:** For F type fixtures, half-width flanges are required between fixtures. Order Catalog Number: **1FC TRIM** (each joint).
- PLASTER FRAMES:** F type fixtures do not include plaster frames. For individual or continuous mounting, specify **PF14** universal frame per fixture.
- ELECTRICAL/WIRING OPTIONS:** Consult factory.
- SEISMIC HOLD-DOWN CLIP:** For type G troffers. SUFFIX: **2HD**.
- FUSING:** Internal fast-blow fusing. SUFFIX: **GLR**.
Internal slow-blow fusing. SUFFIX: **GMF**.
- RADIO INTERFERENCE FILTER:** 120 or 277 volt, 50 or 60 Hz. One per fixture standard. SUFFIX: **RF**.
- DRYWALL KIT:** Order Catalog Number: **FK91X4**.
Request Folio OA30-10.
- CHICAGO PLENUM:** SUFFIX: **CP**.

SPECIFICATIONS

PERFORMANCE: In an installation of 2 lamp 32W luminaires in a room cavity ratio of 1, with reflectance of 80% ceiling, 50% wall, 20% floor, the C.U. shall not be less than .66. To prevent glare the VCP shall not be less than 44 either

SPECIFICATIONS (continued)

lengthwise or crosswise (at 100fc level) and the average brightness at 65° shall not exceed 2130 candelas per square meter. To control veiling reflections, luminaires output in the 30°-90° zone shall not be less than 66.4%.

MATERIALS: Chassis parts are die-formed code gauge cold rolled steel. **Housing** is contoured for rigidity with all edges turned up for safe handling. **FINISH: Chassis exterior**—black baked polyester enamel. **Cavity**—white baked polyester enamel minimum 86% reflectance. Phosphate undercoating. **LENS: (VK)** prismatic lens is 3/16" thick, pattern 12, minimum impact strength, 130 foot pounds.

ELECTRICAL: Thermally protected class "P" ballast C.B.M. approved, non PCB. If K.O. is within 3" of ballast, use wire suitable for at least 90°.

LABELS: I.B.E.W./UL and C-UL.

Job Information Type:

Lightolier a Genlyte Thomas Company www.lightolier.com
Technical Information: (978) 657-7600 • Fax (978) 658-0595
631 Airport Road, Fall River, MA 02720 • (508) 679-8131 • Fax (508) 674-4710
We reserve the right to change details of design, materials and finish.
© 2002 Genlyte Thomas Group LLC (Lightolier Division)
A0902 **Section 6A/Folio P20-50**

LIGHTOLIER